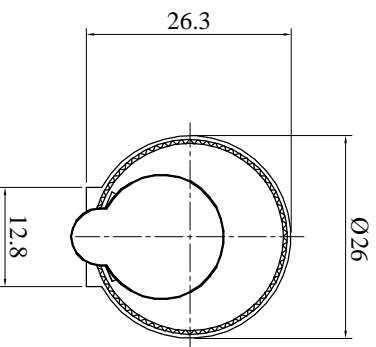
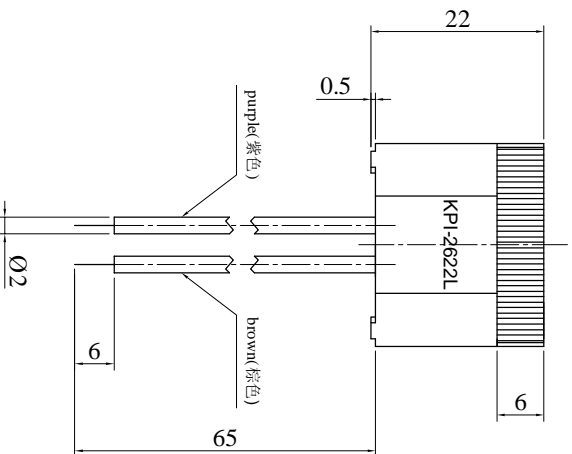


SPECIFICATION

- 1. Rated Voltage12VDC
 - 2. Operating Voltage6~18VDC
 - 3. Max. Rated Current25mA at 12VDC
 - 4. Resonant Frequency2.9±0.5KHz
 - 5. Min. Sound Pressure Level.....92dB at 12VDC/30cm
 - 6. Tone NatureContinuous
 - 7. Case MaterialABS
 - 8. Operating Temperature-20~+60℃
 - 9. Store Temperature-30~+80℃
 - 10. Weight13g
- Purple(紫色)..... Positive(+)
 Brown(棕色)..... Negative(-)



| | | | |
|--|-------------|----------|--------------|
| KEPO NINGBO KEPO ELECTRONIC CO.,LTD http://www.chinaacoustic.com | | | |
| Piezo Buzzer QUARTZ-1 LTD KPI-2622L-1891 | | | |
| No. | DESCRIPTION | APPROVED | DATE |
| FORMAL REVISIONS X * XX * XXX * | | DRAWN | DATE |
| 90° FORNISE 9.2° FIRST ANGLE ISOMETRIC | | CHECKED | DATE |
| | | APPROVED | 05.12.06 |
| | | UNIT | SCALE |
| | | mm | NOT TO SCALE |
| | | DRAWING | SHEET |
| | | OEM1891 | VER 1.0 |